

MINING PRODUCTS

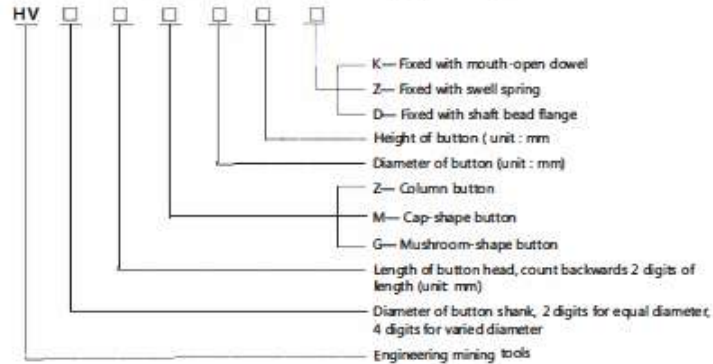




Rule of type description to mining tools

Rule of type description to mining tools

Mixed code of Chinese phonetic alphabet and Arabic numerals, type of mining tool is described as below:



Sample No.1, HV3591Z1622Z means that diameter of shank is 35mm, length of head is 91mm, diameter of brazing is 16mm, height of column button is 22mm, and tool is fixed with swell spring.

Sample No.2, HV383080M2933D means that diameter of shank is 38&30mm, length of head is 80mm, diameter of brazing is 29mm, height of cap-shape button is 32.5mm, and the tool is fixed with shaft bead flange.



Selection guidance of mining tools

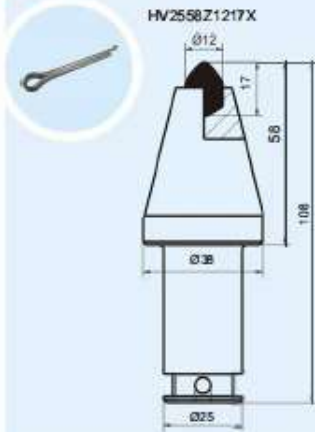
Type	Cutting condition			Fixing method		Button type		Application	Remark
	Soft	Middle	Hard	Swell spring	Shaft bead flange	Column	Cap-shape		
25mm									
HV2558Z1217X						•			
HV2558Z1322X						•			
30mm									
HV3080Z1322Z	•			•		•		U80 series	
HV3081Z1519Z	•			•		•		U80 series	
HV3081Z1829Z		•		•		•		U80 series	
HV3084M1821Z		•		•			•	U80 series	
HV3084M2423Z			•	•			•	U80 series	
HV3076Z1829Z			•	•		•		U80 series	Drawing and pulling slat
HV3067Z2032D			•			•		S120	
34mm									
HV3475Z2032D			•			•		S100	
35mm									
HV3502Z1622Z				•		•		U90 series	
HV3502M2024Z	•			•			•	U90 series	
HV3502M2423Z		•		•			•	U90 series	Drawing and pulling slat
HV3202M2933Z			•	•			•	U90 series	
HV3591Z1823Z		•		•			•	U90 series	
HV3591Z1829Z		•		•			•	U90 series	
HV3589Z2034Z			•	•			•	U90 series	
HV3589Z2234Z			•	•			•	U90 series	
38mm									
HV3880Z1829D	•						•	U135 series	
HV3880Z2034D		•					•	U135 series	
HV3880Z2235D			•				•	U135 series	
HV3880Z2535D				•			•	U135 series	
HV3880M2933D				•			•	U135 series	
38 x 30mm									
HV383077M2024D	•						•	U47 series	
HV383077M2933D			•				•	U47 series	
HV383076Z1829D	•						•	U47 series	
HV383076Z2235D			•				•	U47 series	
HV383076Z2535D				•			•	U47 series	
43 x 35mm									
HV433514M2423Z	•			•			•	U170 series	
HV433514M2933Z		•		•			•	U170 series	Drawing and pulling slat
HV433514Z1829Z				•			•	U170 series	
HV433514Z2235Z				•			•	U170 series	
HV433589Z2535Z			•	•			•	U170 series	

Specific mining tools can be designed and manufactured according to user's requirements.



Engineering mining tools

■ Shank diameter $\Phi 25\text{mm}$



Engineering mining tools

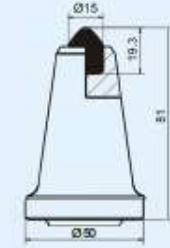
■ Shank diameter $\Phi 30\text{mm}$



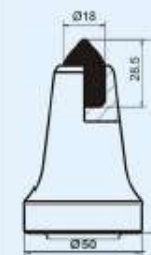
HV3080Z1325Z



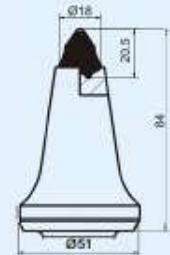
HV3081Z1519Z



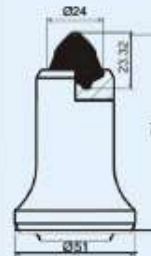
HV3081Z1829Z



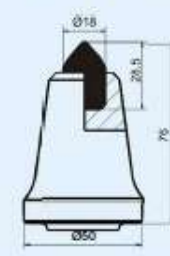
HV3084M1821Z



HV3084M2423Z



HV3076Z1829Z



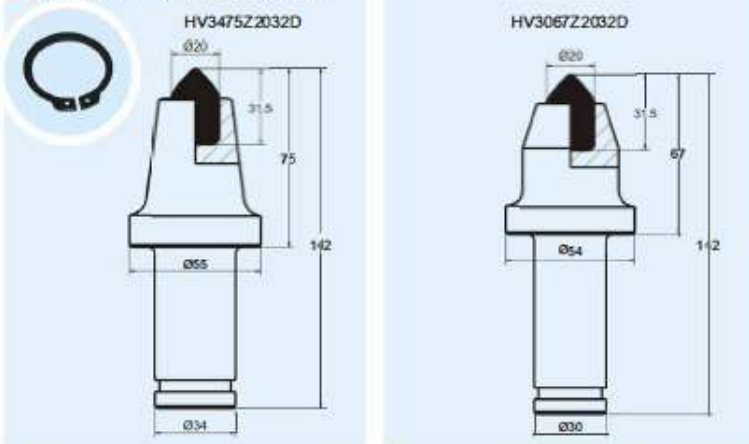


ECOMETAL

Innovative Industrial Supplier

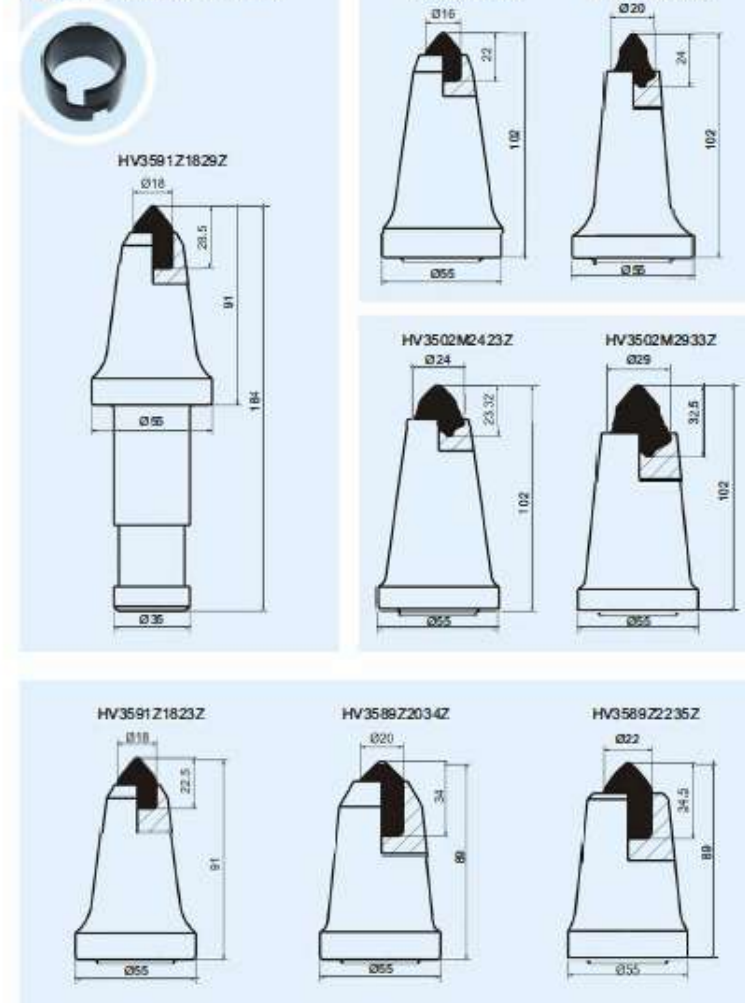
Engineering mining tools

■ Shank diameter $\Phi 30$, $\Phi 34$ mm



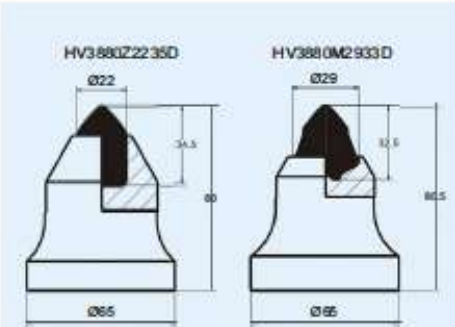
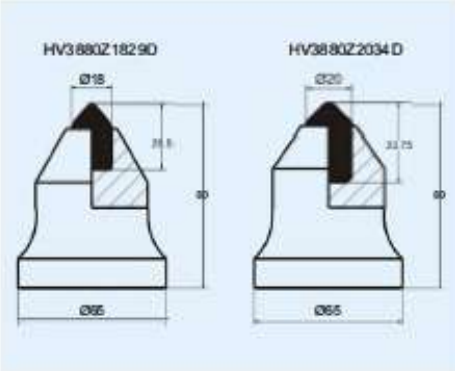
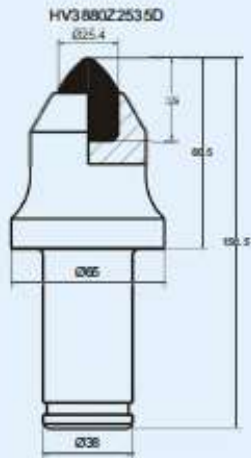
Engineering mining tools

■ Shank diameter $\Phi 35$ mm



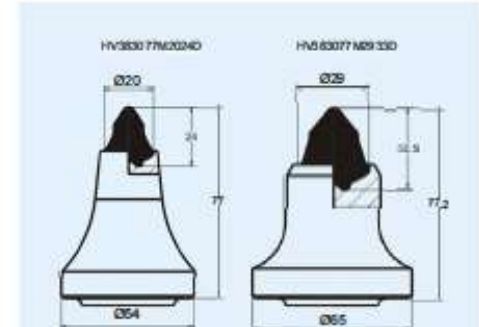
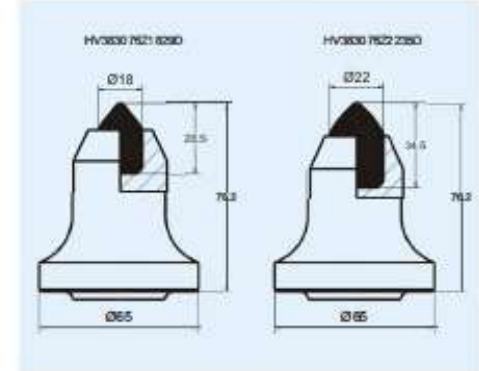
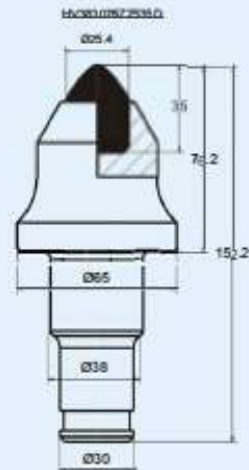
Engineering mining tools

■ Shank diameter $\Phi 38\text{mm}$



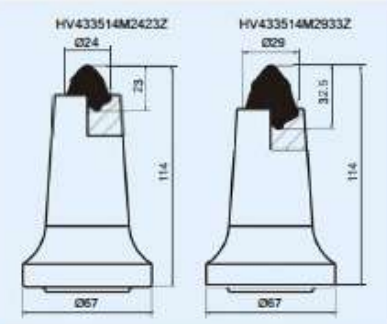
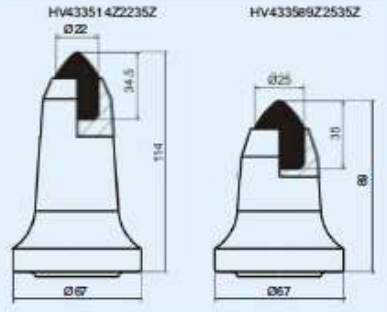
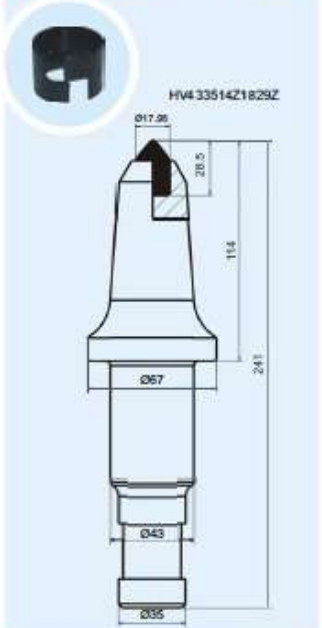
Engineering mining tools

■ Shank diameter $\Phi 38 \times \Phi 30\text{mm}$



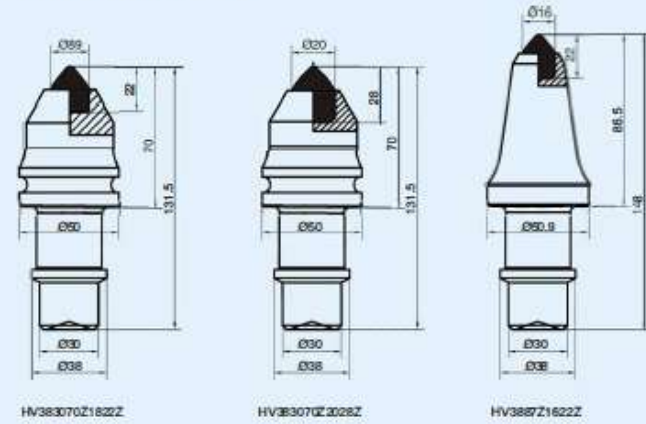
Engineering mining tools

■ Shank diameter $\Phi 43 \times \Phi 35\text{mm}$

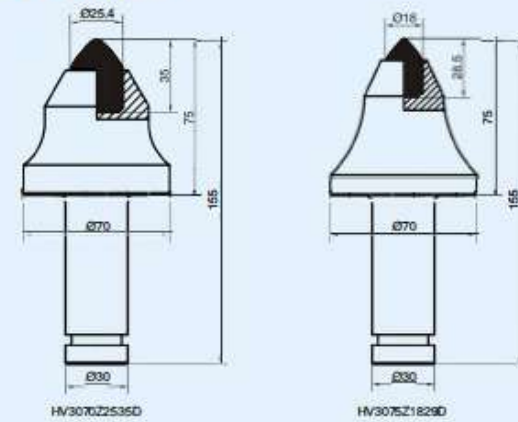


Engineering mining tools

■ Rotary Digging Bits



■ Milling Digging Bits



CONTACT INFORMATION

Commercial and Technical Assistance – Brazil

Laerte José Fernandes

+55 12 99640-3007

fernandes.laerte@e3metais.com.br